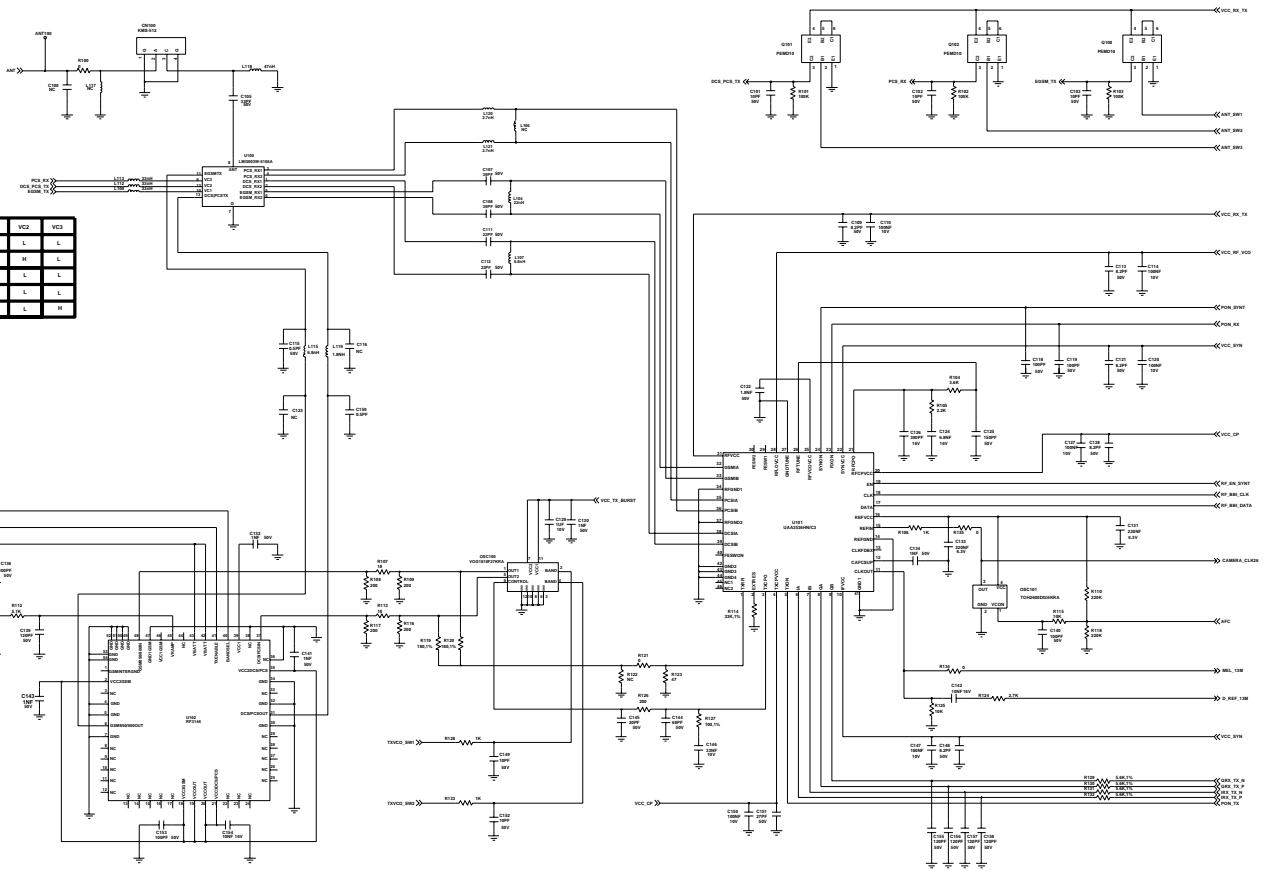
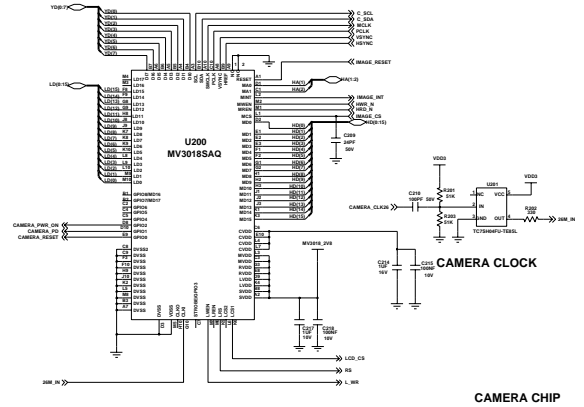
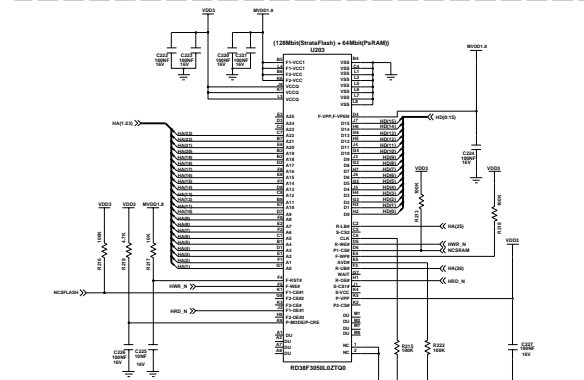


| | VCI | VCC | VCC3 |
|-------------|-----|-----|------|
| Tu0000000 | H | L | L |
| Tu000000000 | L | H | L |
| Ru0000000 | L | L | L |
| Ru00001000 | L | L | L |
| Ru00001000 | L | L | H |

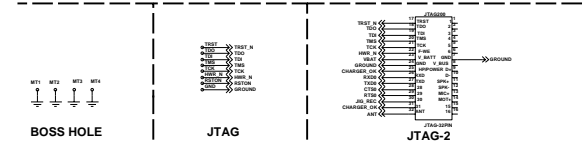




CAMERA CHIP



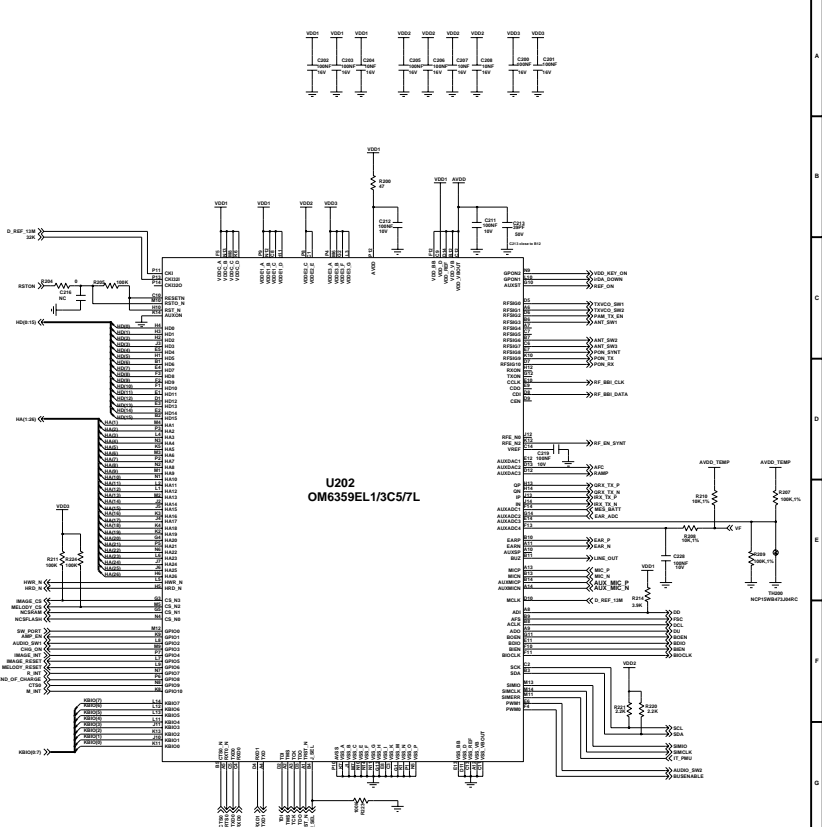
MEMORY



BOSS HOLE

JTAG

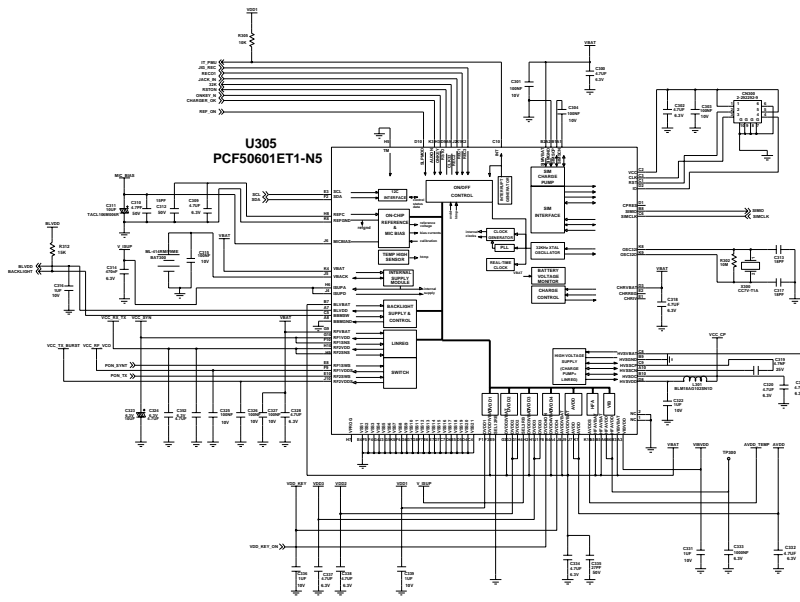
JTAG-2



SYSOL3 GPRS MODEM

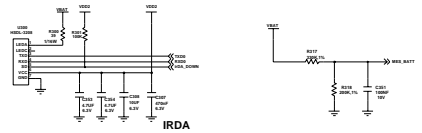
| | |
|-------------|-----------------|
| DESIGNED BY | SGH-X620_REV3.0 |
| DESIGNED BY | SGH |
| DESIGNED BY | SGH |
| DESIGNED BY | SGH |
| DESIGNED BY | SGH |
| DESIGNED BY | SGH |
| DESIGNED BY | SGH |
| DESIGNED BY | SGH |
| DESIGNED BY | SGH |
| DESIGNED BY | SGH |

SYSOL AND MEMORY

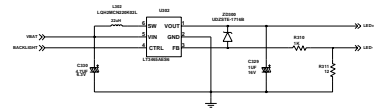


U305
PCF50601ET1-N5

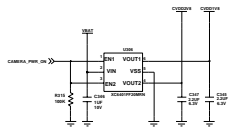
POWER MANAGEMENT UNIT(PMU IC)



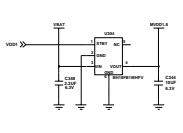
IRDA



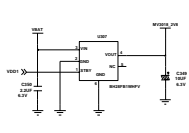
LED DRIVER



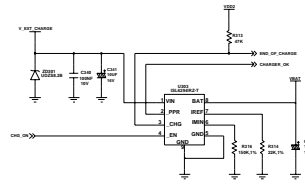
CAMERA POWER



MEMORY POWER



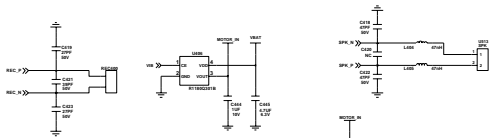
MV3018 POWER



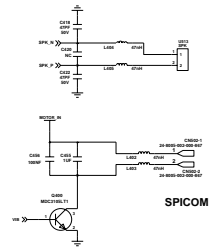
CHARGER IC

LDO

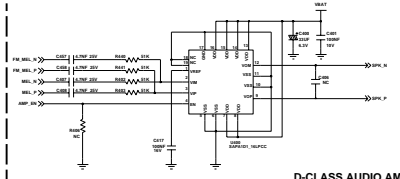
| | |
|---------------|-----------------------|
| DESIGNED BY | SGH-X620_REV3.0 |
| DESIGNED BY | SGH |
| DESIGNED DATE | 2012.07.17 |
| DESIGNED BY | POWER MANAGEMENT UNIT |
| DESIGNED BY | POWER MANAGEMENT UNIT |



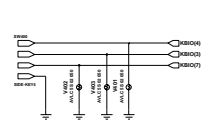
RECEIVER



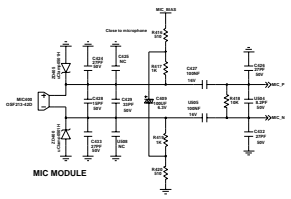
SPICOM



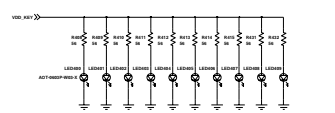
D-CLASS AUDIO AMP



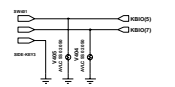
UP_DOWN_PTT KEY



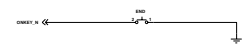
MIC MODULE



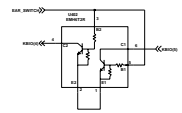
KEY LED



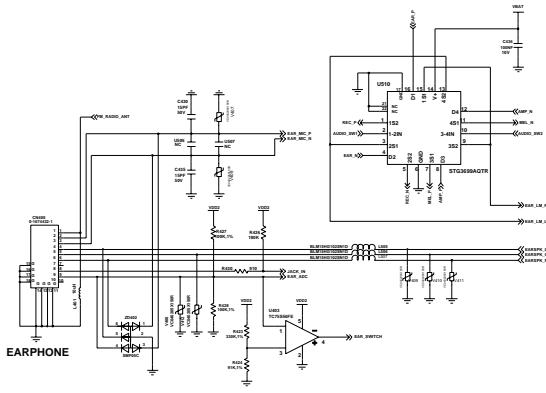
CAMERA KEY



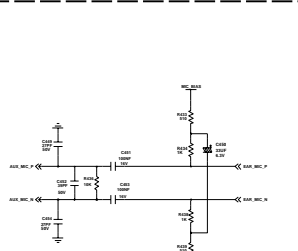
POWER KEY



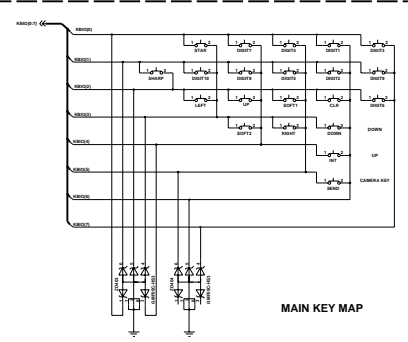
EARPHONE SWITCH



EARPHONE

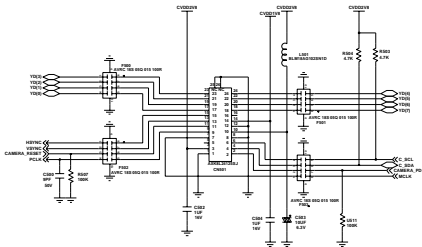


EARPHONE MIC

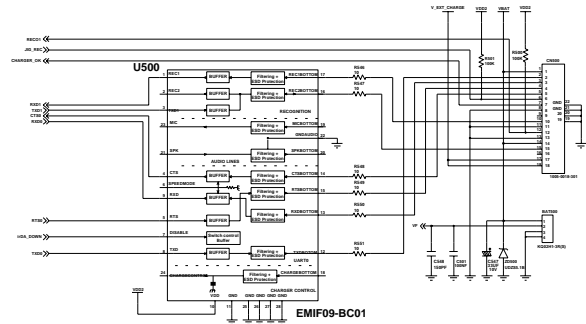


MAIN KEY MAP

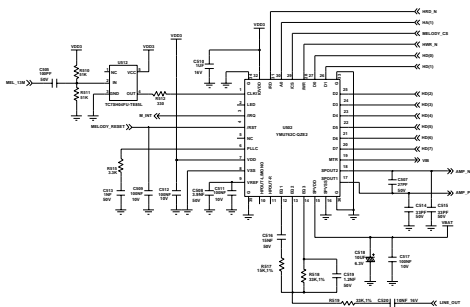
| | |
|-------------------|-----------------|
| PROJECT | SGH-X620_REV3.0 |
| DESIGN BY | DATE |
| DESIGN CHECK | DATE |
| APPROVED BY | DATE |
| AUDIO BLOCK & KEY | |
| DESIGNED BY | DATE |
| DESIGN CHECK | DATE |
| APPROVED BY | DATE |



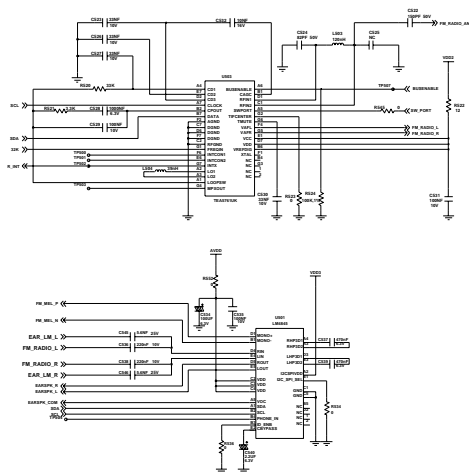
SEMCO CAMERA(AU60E)



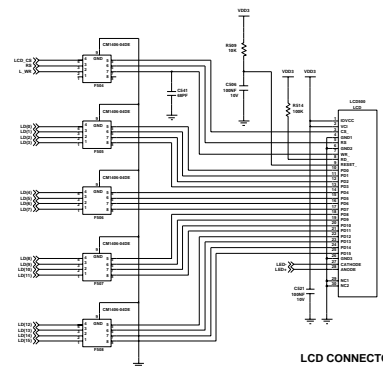
IO CONNECTOR



MELODY IC



FM RADIO

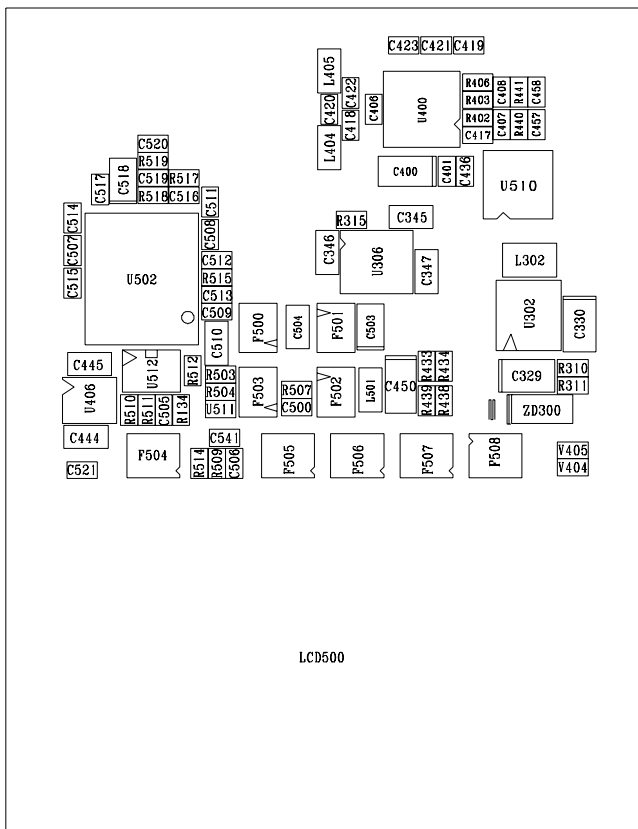


LCD CONNECTOR

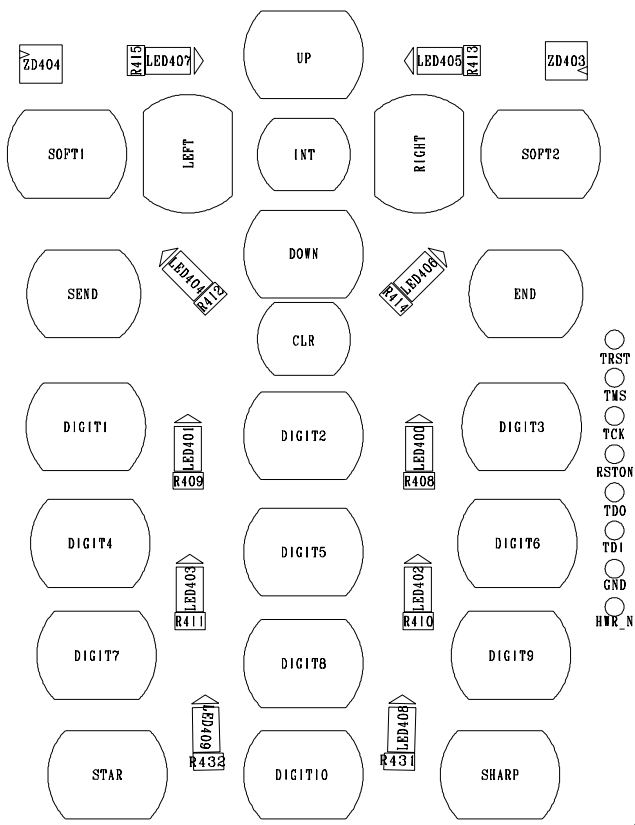
| | |
|-------------------|-----------------|
| DESIGNER | SGH-X620_REV3.0 |
| DESIGN BY | WILE |
| DATE | |
| APPROVED BY | |
| DATE | |
| LCD & Camera ETC. | |

V402 V403 V401

REC400



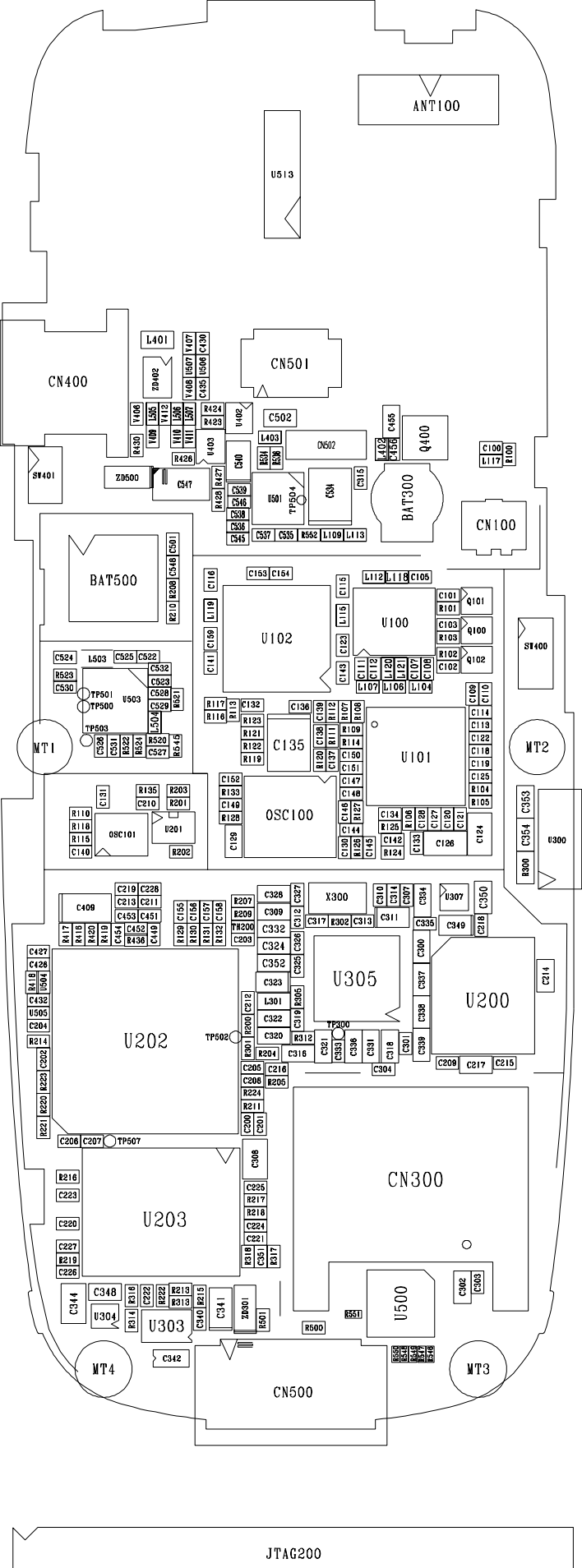
LCD500



- TRST
- TMS
- TCK
- RSTON
- TDO
- TD1
- GND
- HTR_N



C424 C428 U508
 C425 C429 C433
 ZD405
 ZD400



ANT100

U513

CN400

CN501

SV401

ZD500

BAT500

U102

BAT300

CN100

MT1

MT2

SW400

OSC101

OSC100

U101

U300

C409

X300

U202

U305

U200

U203

CN300

U500

MT4

MT3

CN500

JTAG200